



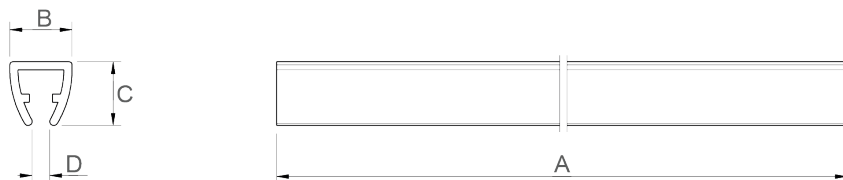
CARRYING RAIL

ALEMTEK

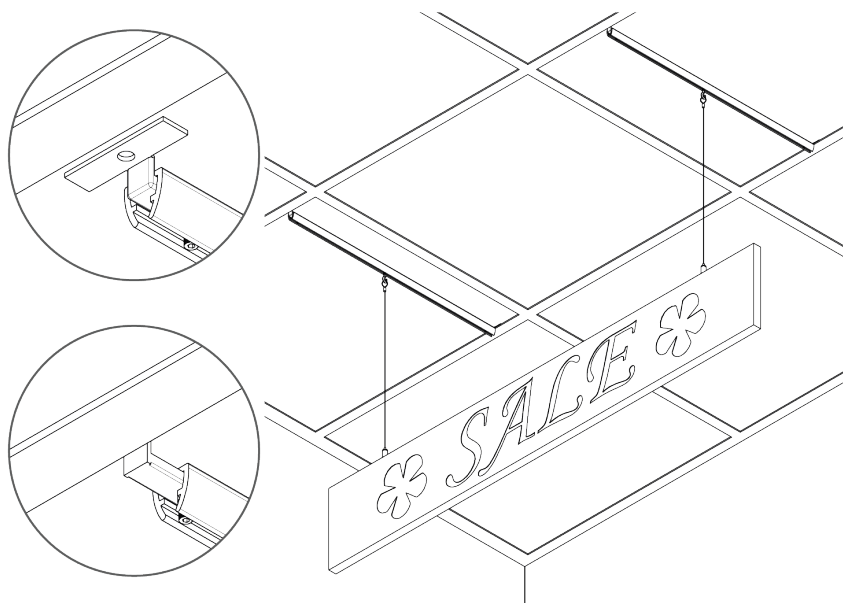
Carrying rails with hook

The carrying rails are designed for use in grid ceilings or simply plain ceilings, providing a reliable way to suspend lighting, panels, and other ceiling-mounted products. Each rail is delivered with pre-mounted parts, making installation fast and simple with an included hex key.

The built-in hook glides smoothly along the rail, giving you the flexibility to adjust positions with ease. 52-AP1 is made to fit 600 mm grid ceiling tiles and T15, T24 and T36 profiles.



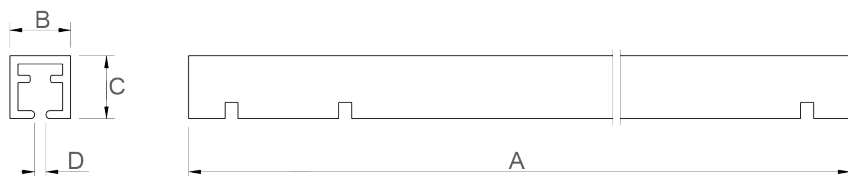
Art. no.	A mm	B mm	C mm	D mm
52-AP1	570	15	15	4.4
52-AP2	1175	15	15	4.4



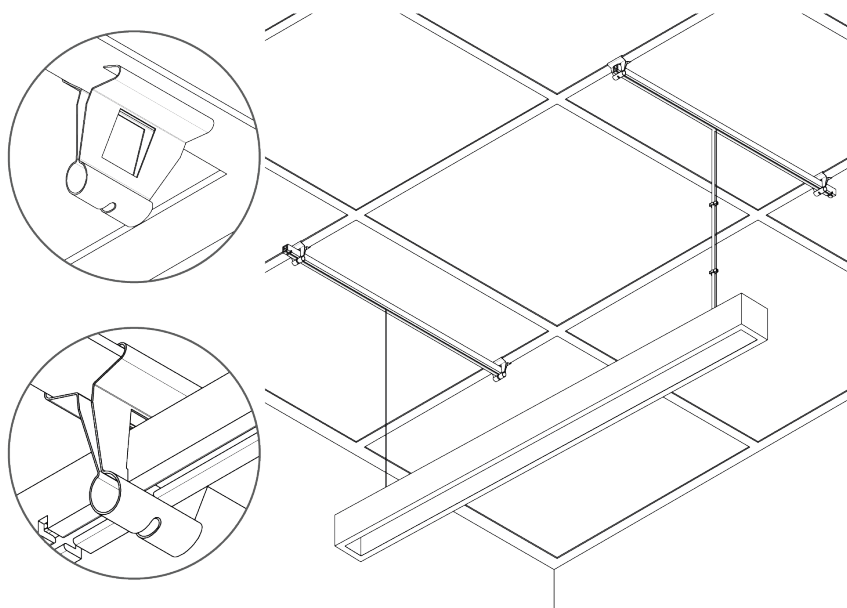
Carrying rails for wire

These carrying rails are installed without tools, using simple clips for quick setup. Just attach the clips to the grid ceiling bars and slide the rail into place – saving both time and effort.

The rails provide a secure base for suspending lighting, panels, or other ceiling-mounted products. With the use of a suitable wire, you can easily hang your items and adjust their position horizontally. 52-AP4 is made to fit 600/625 mm grid ceiling tiles and T15, T24 and T36 profiles.



Art. no.	A mm	B mm	C mm	D mm
52-AP4	650	15	15	2.8



ALEMTEK

Emmabodavägen 4
382 45 Nybro
Sweden

Tel: +46 (0)481-696 60

info@alemtek.com
www.alemtek.com

To view all our catalogues online, scan the QR
code or visit www.alemtek.com/cat



All information in this catalogue is without engagement, replaces all preceding information and can always be modified. We have the right to change at any time the technical aspects of our products without foregoing communication. No part of this catalogue may be copied without authorisation.

© Copyright 2026 Alemtek AB.