



SIGN SUSPENSION SYSTEM

ALEMTEK

Alemtek, founded in 2000, is a multigenerational family company dedicated to providing innovative suspension systems through a unique partnership. Working with our team is a creative process that enables new ideas and offers you support in developing new solutions.

With over 25 years in the industry, partnering with us is simple, and our suspension solutions are easy-to-use, durable, and designed for minimal impact.

Note that the examples shown are only some parts of our full product range. Visit our website or contact us directly for more information and customization.

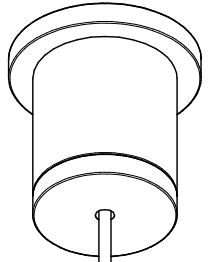
Our service is at your disposal.

ALEMTEK



Attachment

A fixed point attached to ceilings, walls, floors, or products by screws to enable wire suspension. Most often an attachment to the ceiling is used.



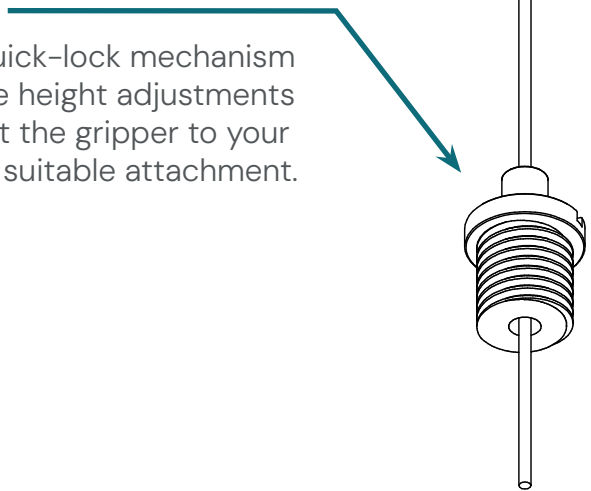
Wire

A steel wire made for high performance together with a gripper. The wire ending is shaped to suit your installation and can be fastened to an attachment or your product.



Gripper

Grippers are using a quick-lock mechanism that allows for tool-free height adjustments along the wire. Connect the gripper to your product by selecting a suitable attachment.

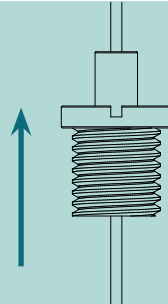


How to use grippers

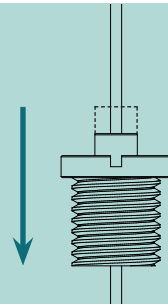
A Insert the wire through the gripper pin, unless specified otherwise.



B Slide the gripper upward to adjust its position. Once you release it, the gripper will automatically lock onto the wire.



C To unlock, press down the gripper pin. This allows the gripper to slide freely up and down the wire. To lock it in place again, simply release the gripper pin.



Attachment

Select the attachment that matches your ceiling type and the look you want to achieve.

32SD4L30J



32SM5LX



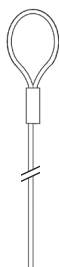
32SM5L5



Wire

Pick the wire according to the weight of the suspended product, and choose wire endings that fit your gripper and attachment.

T95



T7



T2



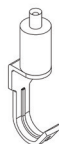
Gripper

Choose the gripper that best fits how you want to suspend your product.

9-38E



9-39J



9-39UPDNW



9-39U



Accessories

Certain products need additional accessories, depending on how they will be used.

712MM5L8



796D1-5



726MIOPI

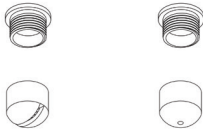


412M13M6BL20



411MM13BL12

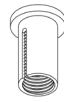
412MM12M5BL9



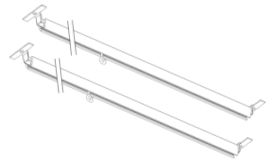
411M12BL14U

411M12BL14H

412M8M6BL20U



52-API



T3



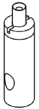
TJ



F



9-38M5



9-33MM10



9-13H



9-4401

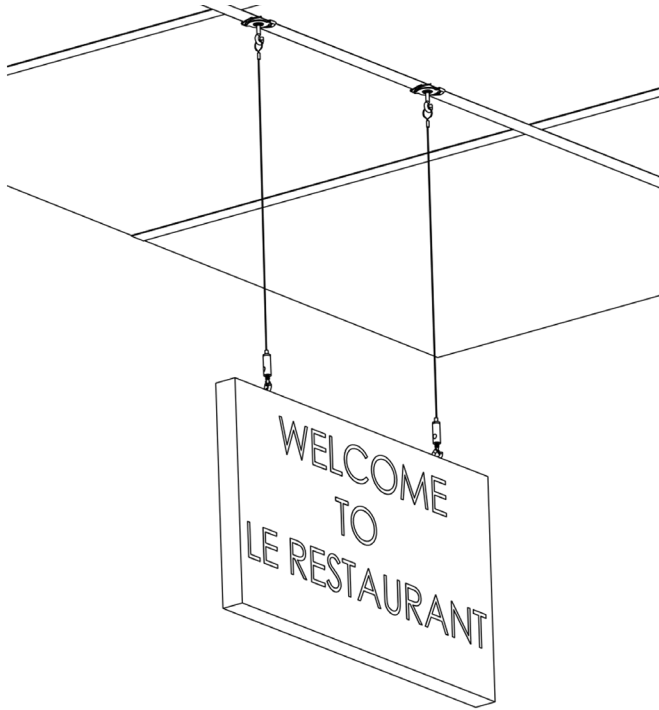


7801



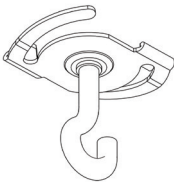
7802





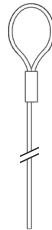
Attachment

2 x 32SD4L30J



Wire

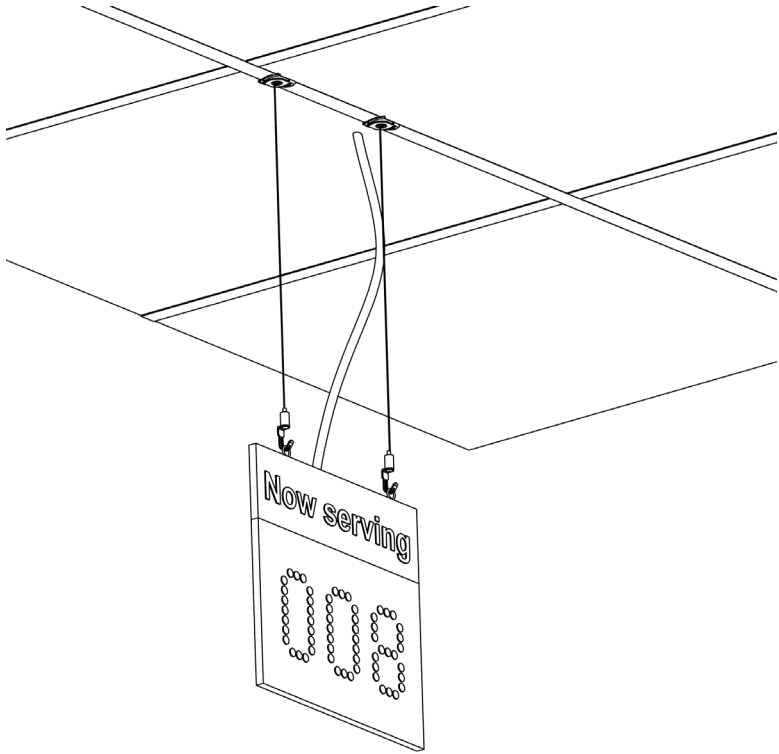
2 x T95



Gripper

2 x 9-38E





Attachment

2 x 32SM5LX



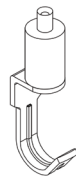
Wire

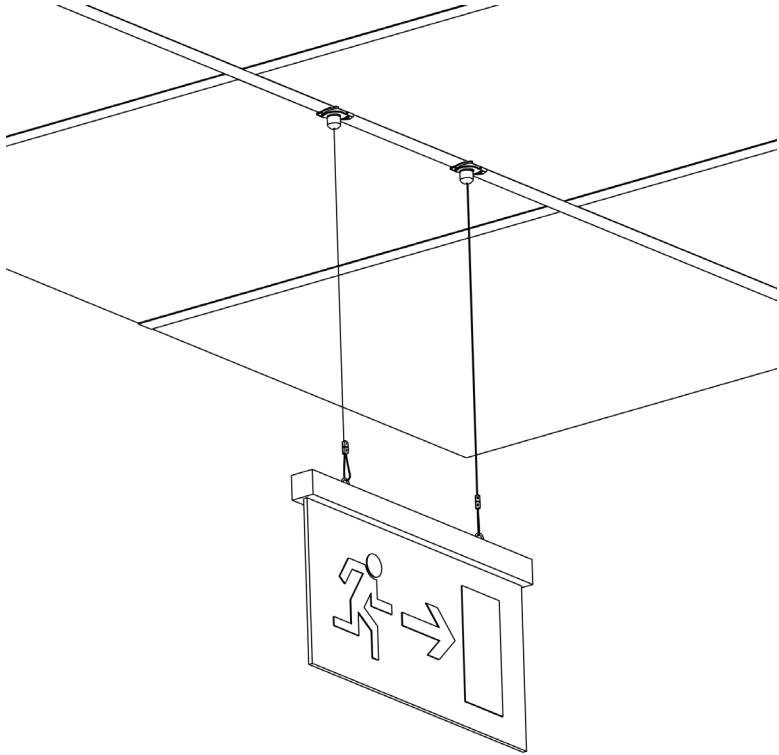
2 x T3



Gripper

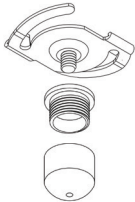
2 x 9-39J





Attachment

2 x 32SM5L5
2 x 412MM12M5BL9
2 x 411M12BL14H



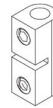
Wire

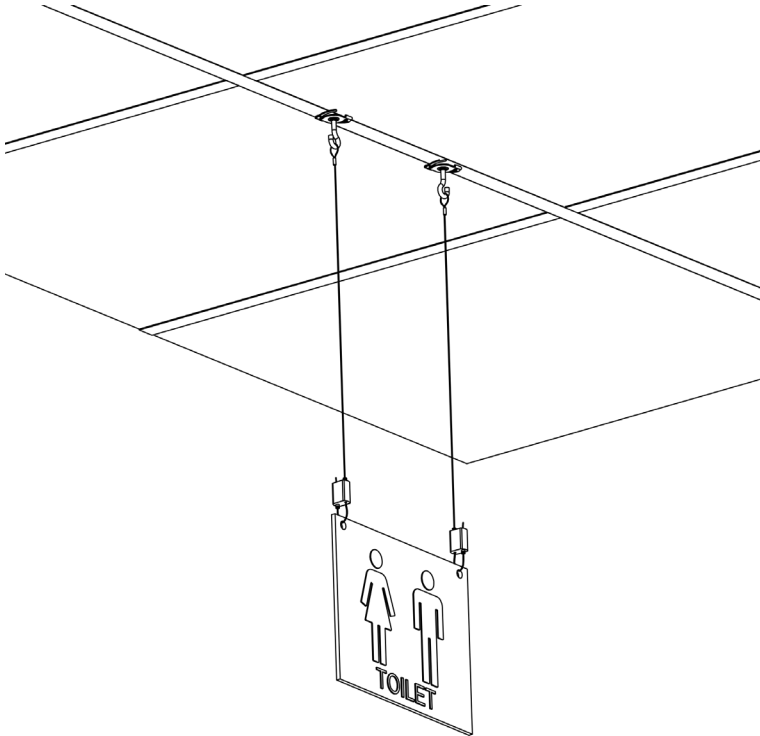
2 x T2



Terminal

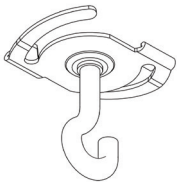
2 x 7801





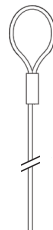
Attachment

2 x 32SD4L30J



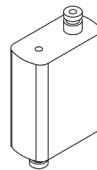
Wire

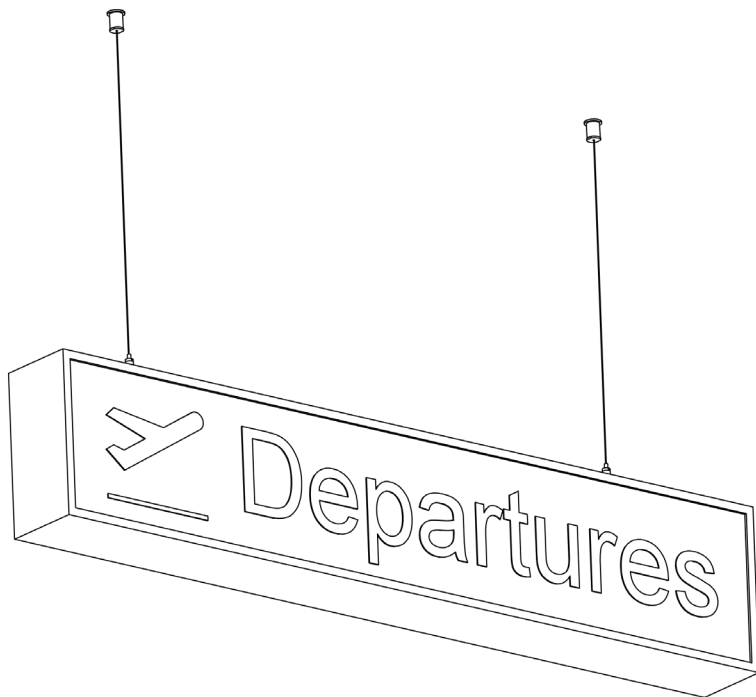
2 x T95



Gripper

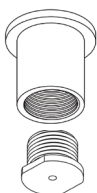
2 x 9-39UPDNW





Attachment

2 x 412M13M6BL20
2 x 411MM13BL12



Wire

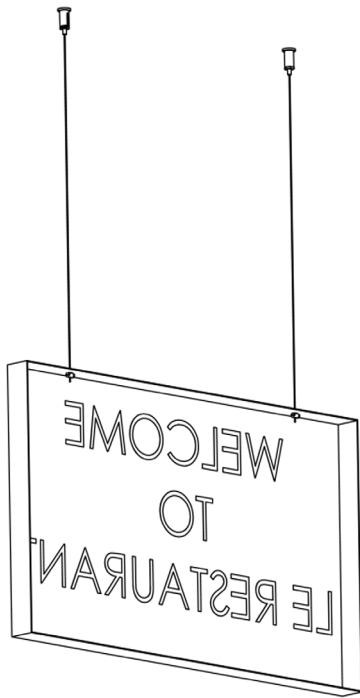
2 x T2



Gripper

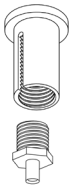
2 x 9-38M4
2 x 712MM4L8





Attachment

2 x 412M8M6BL20U
2 x 9-13H



Wire

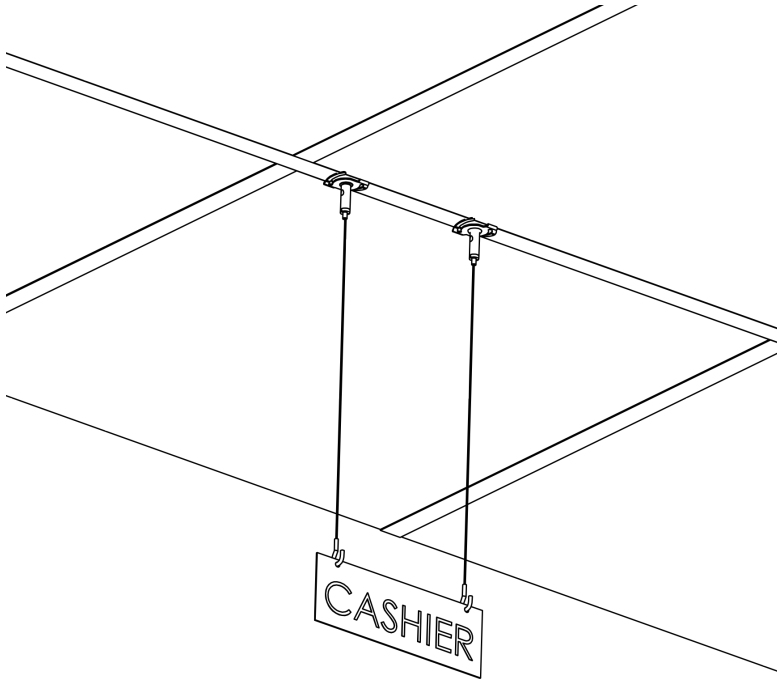
2 x F



Stopper

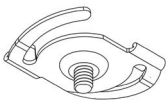
2 x 9-4401





Attachment

2 x 32SM5L5



Gripper

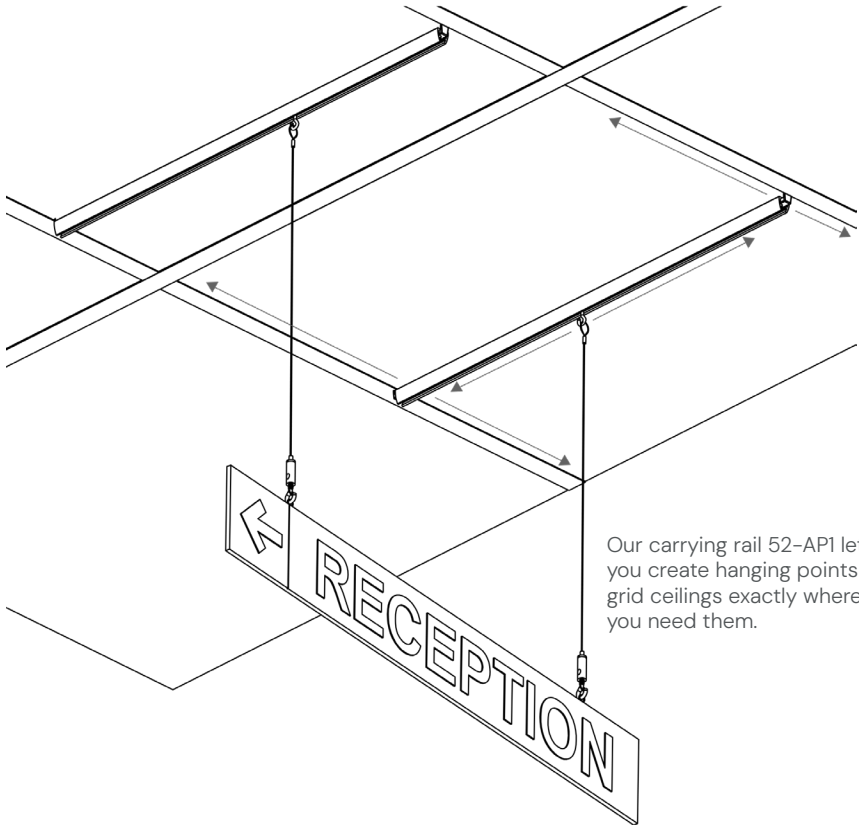
2 x 9-38M5



Wire

2 x TJ

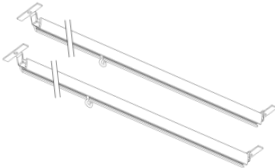




Our carrying rail 52-API lets you create hanging points in grid ceilings exactly where you need them.

Attachment

1 x 52-API



Wire

2 x T95



Gripper

2 x 9-38E

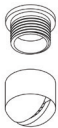




To suspend an object from an angled position, use an attachment with a slit.

Attachment

2 x 412MM12M5BL9
2 x 411M12BL14U



Wire

2 x T7D5



Terminal

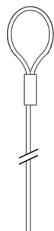
2 x 7802





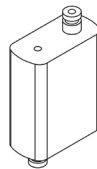
Wire

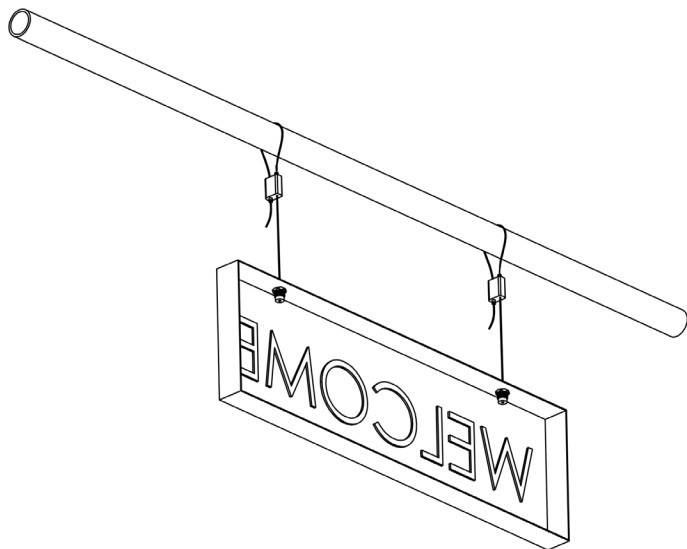
2 x T95



Gripper

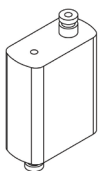
2 x 9-39UPDNW





Gripper

2 x 9-39UPDNW



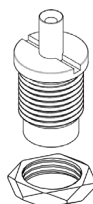
Wire

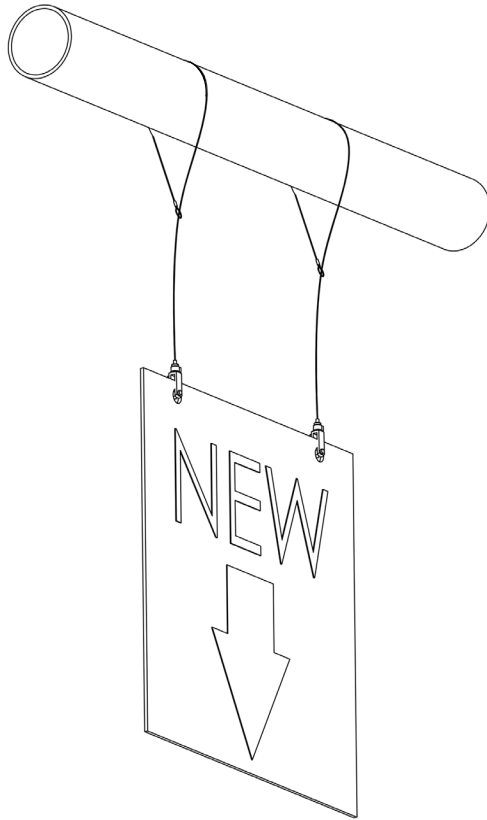
2 x F



Gripper

2 x 9-33MM10
2 x 726M10P1





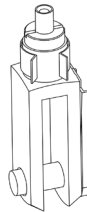
Wire

2 x T95



Gripper

2 x 9-39U



ALEMTEK

Emmabodavägen 4
382 45 Nybro
Sweden

Tel: +46 (0)481-696 60

info@alemtek.com
www.alemtek.com

To view all our catalogues online, scan the QR
code or visit www.alemtek.com/cat



All information in this catalogue is without engagement, replaces all preceding information and can always be modified. We have the right to change at any time the technical aspects of our products without foregoing communication. No part of this catalogue may be copied without authorisation.

© Copyright 2026 Alemtek AB.